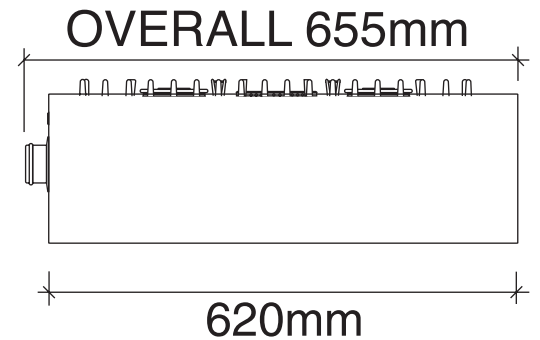
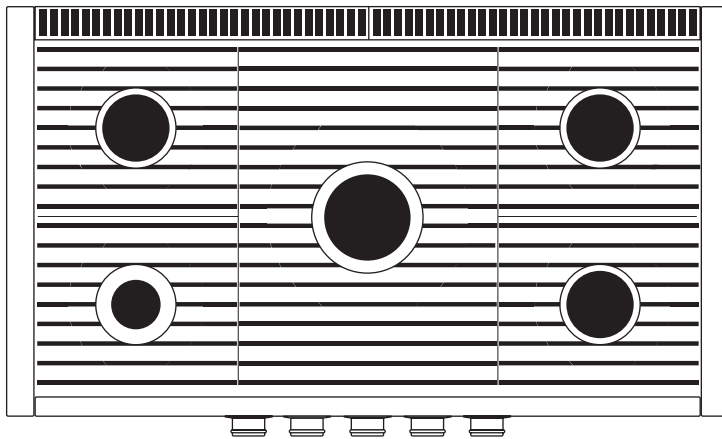


GAS CONNECTION 1/2 BSP  
FEMALE 315mm



## HOB TOP

Dimensions in mm	Height=187 Width=1090 Depth=620
Weight	57kg (126lbs)
Power Ratings	3 x 3kW (gas) 1 x 2kW (gas) 1 x 5kW (gas)
Total Power Ratings	16kW (gas)
Gas Connection	1/2" BSP
Power Supply	230v (50Hz) 13 amp